



**Broadcast Devices, Inc.**

# **ROB-100 Relay Module**

**TECHNICAL REFERENCE MANUAL**

**Broadcast Devices, Inc.  
5 Crestview Avenue  
Cortlandt Manor, NY 10567**

**[WWW.Broadcast-Devices.com](http://WWW.Broadcast-Devices.com)**

**Tel. (914) 737-5032  
Fax. (914) 736-6916**

**REV: A 03/08**

## **Basic Description**

The ROB-100 Relay module consists of two 4PDT 12 DC magnetically latching relays. These relays can be operated independently or strapped for tandem control. All control inputs are connected via a single DB9 connector and all relay contacts are connected via a DB-25 connector. Refer to the schematic for relay contact connections. Possible applications include switching of balanced audio lines, control lines, or any low voltage connections requiring multiple contact closure provision

## **Installation Guide**

The ROB-100 can be mounted to any non conducting surface or by use of standoffs by use of the four provided mounting holes.

## **Relay Control Wiring Detail**

For independent relay control the following connections are recommended.

For ground start control of relay 1:

Connect DB9 pins 4 and 5 to +12 VDC

To set relay 1 momentarily connect DB9 pin 8 to power supply common

To reset relay 1 momentarily connect DB9 pin 9 to power supply common

For ground start control of relay 2:

Connect DB9 pins 2 and 3 to +12 VDC

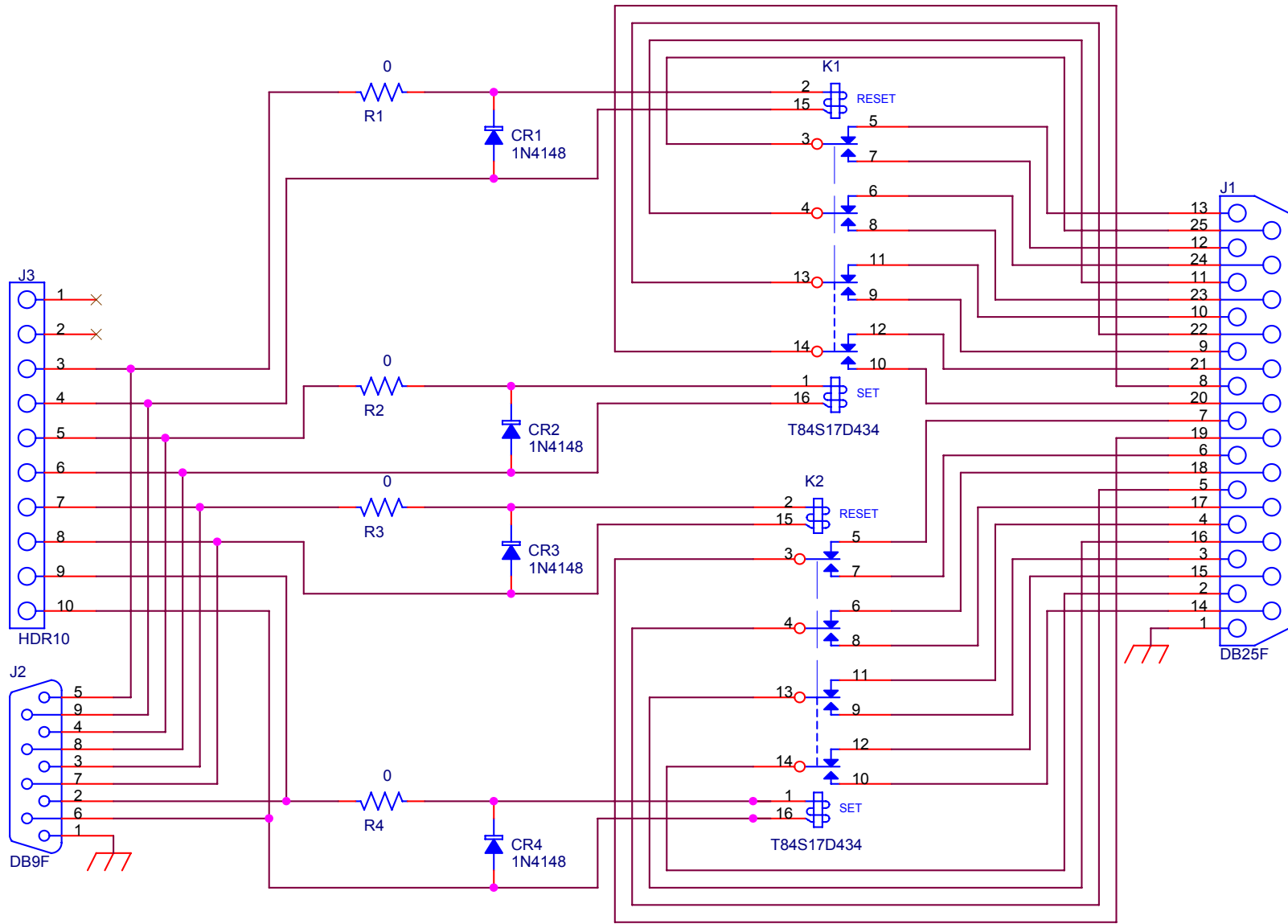
To set relay 2 momentarily connect DB9 pin 6 to power supply common

To reset relay 2 momentarily connect DB9 pin 7 to power supply ground.

For +12 VDC make the +12 VDC connections above momentary and make the power supply common connections maintained.

Please contact the factory for any installation questions at (914) 737-5032 or by email at [Customer.Service@Broadcast-Devices.com](mailto:Customer.Service@Broadcast-Devices.com)

Thanks for purchasing Broadcast Devices products.



<b>Broadcast Devices, Inc.</b>		
Title		
<b>Dual 4 Pole Latching Relay Board</b>		
Size	Document Number	Rev
A	{Doc}	C
Date:	Wednesday, March 12, 2008	Sheet 1 of 1

## **Warranty**

Broadcast Devices, Inc. products are warranted against failure due to faulty materials or workmanship for a period of one year from the date of shipment to the ultimate user. The warranty covers repair or replacement of defective parts at the factory, provided the unit has been returned prepaid by the user. All shipments to the factory shall have affixed to the outside of the container an R. A. number obtained from the factory. The above warranty is void if the unit has been modified by the user outside of any recommendations from the factory or if the unit has been abused or operated outside of its electrical or environmental specifications. If customer conducted field tests suggest that the unit may be faulty, whether or not the unit is in warranty, a full report of the difficulty should be sent to Broadcast Devices, Inc. factory at Cortlandt Manor, New York. The office may suggest further tests or authorize return for factory evaluation.

Units sent to the factory should be well packed and shipped to Broadcast Devices, Inc. 5 Crestview Avenue, Cortlandt Manor, NY 10567. Remember to affix the R.A. number to the outside of the carton. Any packages received without such R.A. number will be refused. Note: freight collect shipments will also be refused. When the unit has been received, inspected and tested, the customer will receive a report of the findings along with a quotation for recommended repairs, which are found falling outside of the standard warranty. Units returned for in-warranty repairs which are found not to be defective will be subject to an evaluation and handling charge. In-warranty units will be repaired at no charge and returned via prepaid freight.

Out-of-warranty units needing repair require a purchase order and will be invoiced for parts, labor, and shipping charges.

When ordering replacement part, always specify A) Part number or Description, and Quantity; B) Date of Purchase, Where Purchased; C) Any Special Shipping Instructions. Always specify a street address, as shipping companies cannot deliver to a postal box.

Broadcast Devices, Inc. is not responsible for any other manufacturer's warranty on original equipment. Nor are we responsible for any failure, damage, or loss of property that may occur due to the installation or operation of our equipment outside of recommended specifications.