

# Introducing One Tough Little Customer...



## *The HSA-100-C Stereo Headphone Amplifier*

The HSA-100-C is the headphone amplifier that you have always been looking for. It features balanced or unbalanced input and can accept line levels up to + 8 dBm without any sacrifice of headroom. The unit features also include a rugged, discrete, short circuit protected output stage. The HSA-100-C isn't fussy about what kind of load it drives so it can be used with virtually any brand headset. As a matter of fact, the HSA-100-C can even drive small speakers and makes a great compact monitor amplifier for remote or studio applications. In addition to the two front panel 1/4" output jacks, there is also a 1/4" auxiliary output jack in the rear of the unit to drive speakers or an additional headset. Inputs are connected at the rear of the unit via 1/4" phone jacks. The HSA-100-C is supplied with a heavy-duty extruded aluminum /steel case and heavy duty external power pack. So if your application requires one tough little customer, use the HSA-100-C to meet the demands of the most critical applications.



**Broadcast Devices, Inc.**

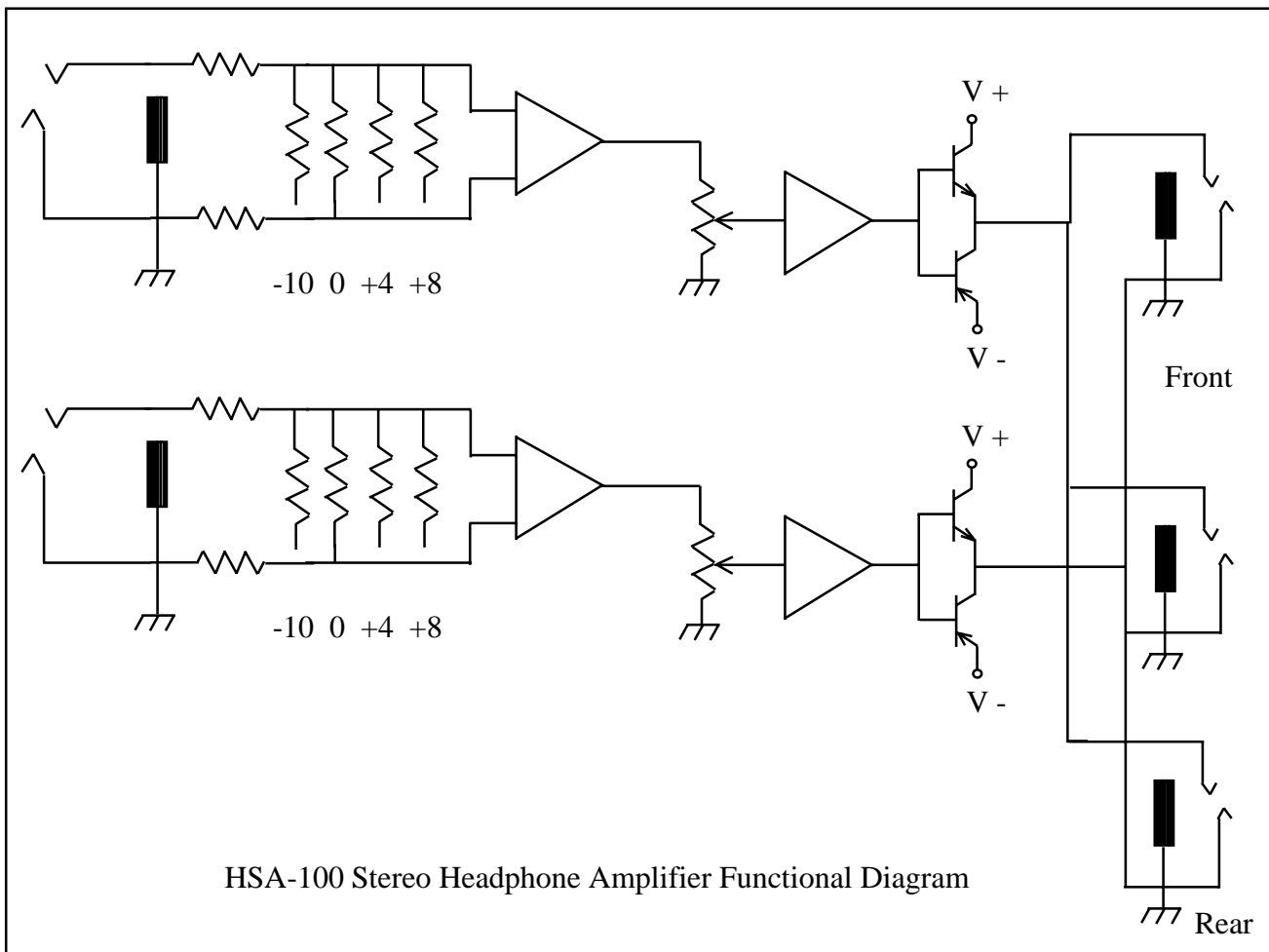
5 Crestview Avenue

Cortlandt Manor, NY 10567

Tel: (914) 737-5032 Fax: (914) 736-6916

email: [Sales@Broadcast-Devices.com](mailto:Sales@Broadcast-Devices.com)

Website: [www.Broadcast-Devices.com](http://www.Broadcast-Devices.com)



## Technical Specifications

Input Impedance:	20 Kilohms Active Balanced
Input Sensitivity:	-10, 0, +4, +8 dBm Jumper Selectable
Output Impedance:	Less Than 8 Ohms
Frequency Response:	+/- 0.25 dB from 20 Hz to 20 kHz
Total Harmonic Distortion:	Less Than 0.03% at 6.5 VRMS into 8 ohms at 100 Hz
Dynamic Range:	Greater Than 80 dB with Volume Control Open Full.
Channel Separation:	Greater Than 75 dB from 20 Hz to 20 kHz
Power Requirements:	+/- 15-18 VDC @ 300 mA. Max. Power Pack Is Included
Input Connectors:	1/4" Phone Jacks
Output Connectors:	2 - 1/4" Phone Jacks in Front, 1 in Rear
Physical Dimensions:	7.5" W X 7.5" D X 1.75" H