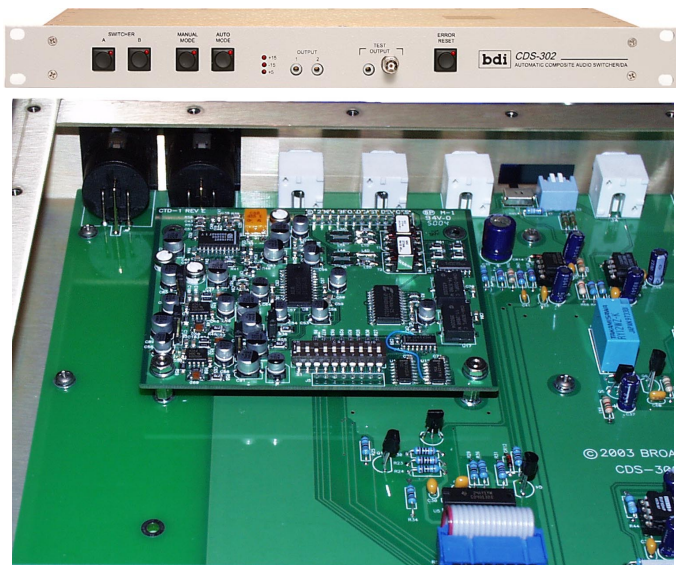


The CDS-300 and 302 Series Composite Switcher Distribution Systems Just Got Better!

The Next Generation of Composite
Switching and Distribution, now
with AES Digital Output...

The CDS-300 and 302 Composite Audio Switcher/Distribution Systems are the composite and digital switching and distribution solution. Add the new CTD-1 Composite to AES Generator module to your CDS-300 or CDS-302 and you have a pair of AES3 outputs for application to digital exciter inputs or for IBOC implementation. Don't retire your composite wired or wireless STL. Simply add the CTD-1 module to your existing CDS series switcher and you are digital ready. The CTD-1 can be configured for 32, 44.1, 48, or 96 KHz sampling. You can add or defeat pre emphasis as needed too! The CTD-1 can also be configured to output analog left and right with a simple jumper installation. The CDS series switchers with CTD-1 option are truly a complete solution to analog and digital distribution for your transmitter plant.



The CTD-1 module installs in either the CDS-302 above or the CDS-300 below. You can also order a CDS-300 or CDS-302 with CTD-1 module factory installed. Go from analog to digital ready in just minutes!



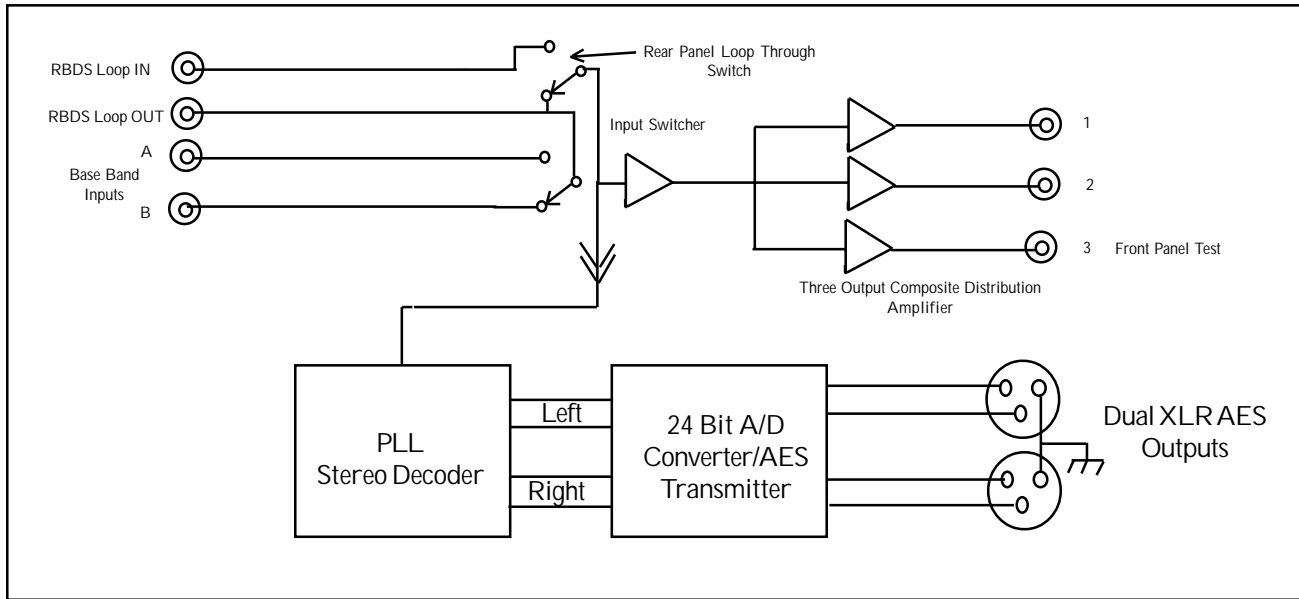
Visit our web site for applications information about all of our products. Call your favorite broadcast equipment dealer for pricing and delivery.



Broadcast Devices, Inc.

5 Crestview Avenue, Cortlandt Manor, NY 10567 Tel. (914) 737-5032 Fax (914) 736-6916
email: Sales@Broadcast-Devices.com Website: www.Broadcast-Devices.com

CTD-1 Shown in CDS Series Switcher



Technical Specifications

Input Level:	Composite Baseband 3.5 VPP adjustable
Input Impedance:	100Kohm unbalanced
De Emphasis:	75uS, 50uS or none - jumper selectable
Stereo Separation:	Better than 40 dB from 50Hz to 15 KHz
Digital Sample Rate:	32, 44.1, 48, or 96 KHz field selectable
Number of bits:	Supports up to 24
Digital Output:	2 - AES3 Standard rear panel XLR
Power Requirements:	Internally powered from CDS series switcher
Physical Size:	4 in. Wide X 3.2" Deep P.C. Board
Environmental:	0 - 60 degrees C. Non Condensing Atmosphere



Broadcast Devices, Inc.

5 Crestview Avenue, Cortlandt Manor, NY 10567 Tel. (914) 737-5032 Fax (914) 736-6916
 email: Sales@Broadcast-Devices.com Website: www.Broadcast-Devices.com

Authorized Distributor: